

## TABLE OF CONTENTS

<b>Plugs "GuardSeal" .....</b>	<b>2</b>
--------------------------------	----------



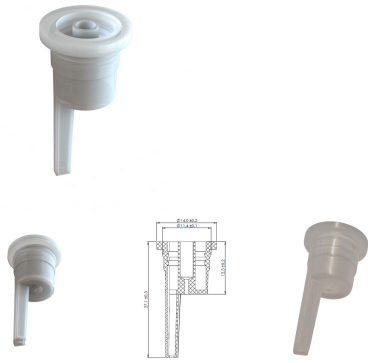
## **PLUGS "GUARDSEAL"**

Introducing our plastic bottle plugs - designed for precision flow control and cleaning of dropper pipettes and more. These versatile plugs offer reliable sealing while reducing liquid flow, ensuring efficient and effective maintenance of your equipment.

## TRANSPARENT DIN18 BOTTLE PLUG FOR ACCURATE LIQUID DISPENSING

SKU: PLUGTRAREG18

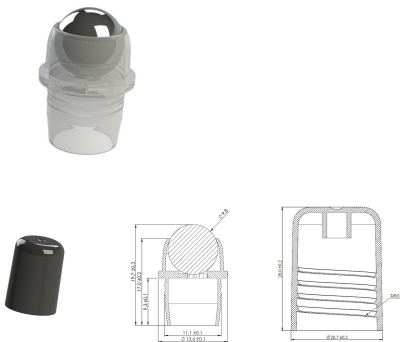
A high-quality transparent plug designed for DIN18 bottles, compatible with standard caps. Provides secure sealing and precise, controlled dispensing for various applications.



## STEEL BALL ROLL-ON PLUG DIN18 WITH TRANSPARENT PLUG AND BLACK PP NON-TAMPER EVIDENT CAP

SKU: ROLLONDIN18TRANSPCAPBLACK

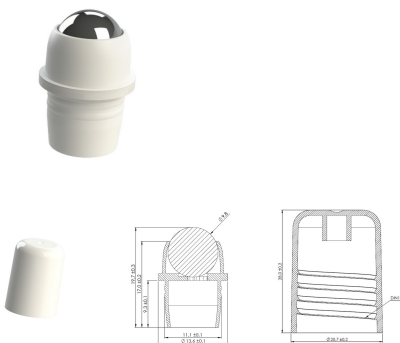
High-quality steel ball with a DIN18 transparent plug and black polypropylene (PP) cap, weighing 6,9g. Designed for seamless and efficient roll-on dispensing, fitting pharmaceutical bottles with a standard DIN18 thread.



## STEEL BALL ROLL-ON PLUG DIN18 WITH TRANSPARENT PLUG AND WHITE PP NON-TAMPER EVIDENT CAP

SKU: ROLLONDIN18WHITECAP

High-quality steel ball with a DIN18 transparent plug and white polypropylene (PP) cap, weighing 6,9g. Designed for seamless and efficient roll-on dispensing, fitting pharmaceutical bottles with a standard DIN18 thread.



## STEEL BALL ROLL-ON PLUG DIN18 WITH TRANSPARENT PLUG AND BLACK PP NON-TAMPER EVIDENT CAP

SKU: ROLLONDIN18BLACKCAP

High-quality steel ball with a DIN18 transparent plug and black polypropylene (PP) cap, weighing 6,9g. Designed for seamless and efficient roll-on dispensing, fitting pharmaceutical bottles with a standard DIN18 thread.



